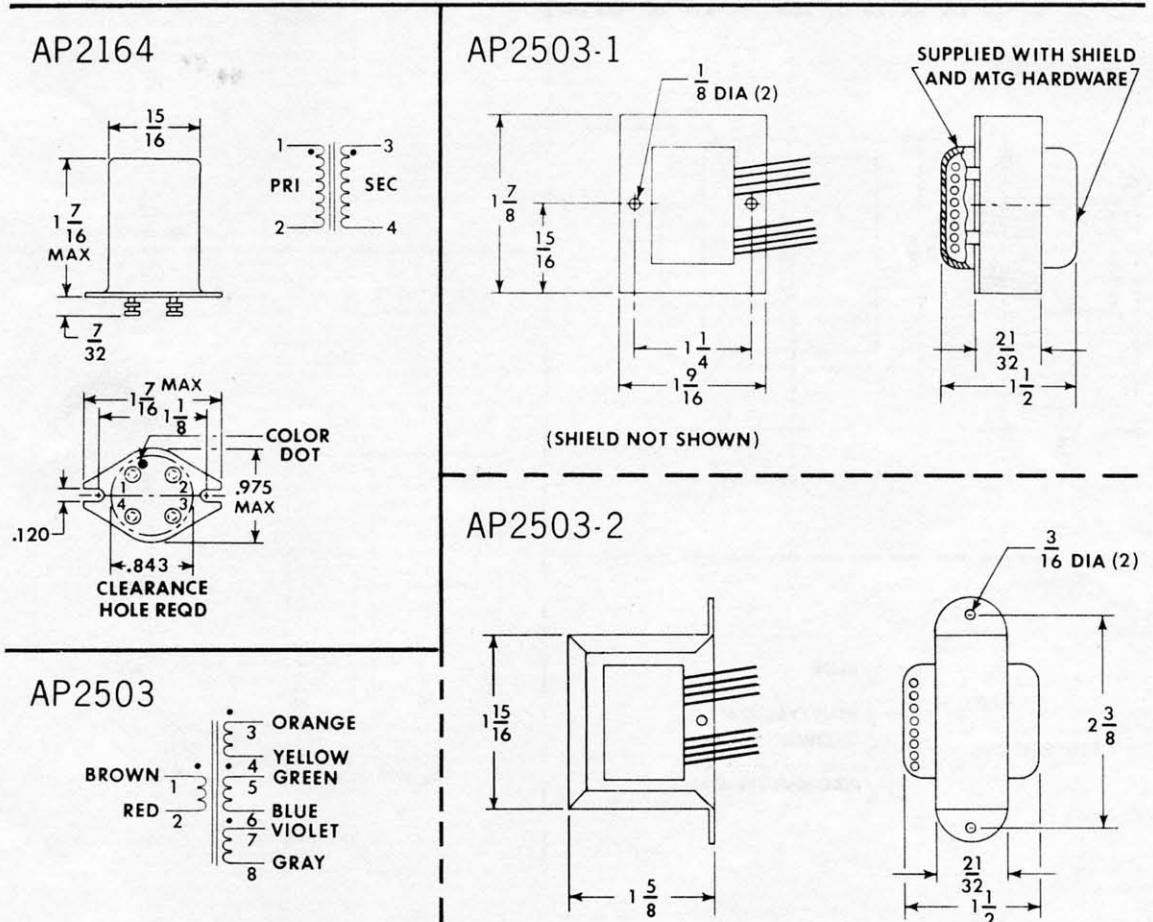


Audio Transformers

MODEL NO.	APPLICATION	PRIMARY IMPEDANCE	SECONDARY IMPEDANCE	FREQUENCY RESPONSE	MAXIMUM LEVEL	NOTES
AP2164	Input (Bridging)	10,000 Ω	600 Ω	20 to 30kHz ± 0.3 dB	+20dBm	
AP2503-1 AP2503-2	Output (Amplifier to Line)	75 Ω	75 Ω (1:1)* 300 Ω (1:2)* 600 Ω (1:3)*	30 to 20kHz ± 0.5 dB	+30dBm	Electrically identical, transformers differ only in mechanical details
AP2622	Input (Mic Preamp)	150/600 Ω	10,000 Ω	30 to 20kHz ± 0.5 dB	0dBm	
AP2623-1 AP2623-2 AP2623-3 AP2623-4	Output (Amplifier to Line)	75 Ω	75 Ω (1:1)* 300 Ω (1:2)*	30 to 20kHz ± 0.5 dB	+30dBm	Electrically identical, transformers differ only in mechanical details

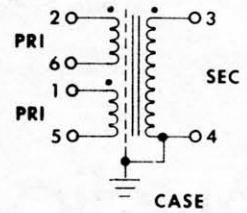
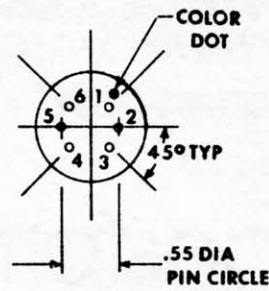
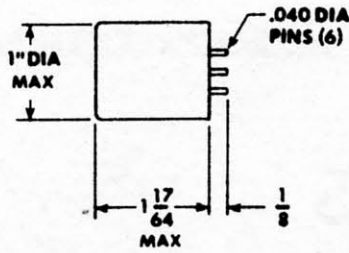
*Minimum Load Impedances



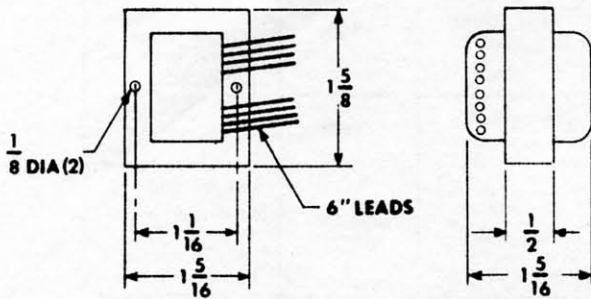
Available from:

General Office and Manufacturing Facility, Huntington, New York
A.P. Ltd., 17 Encroft Way, Twickenham, Middlesex TW1 1DA, England 01-891-2770 and
Respected Dealers Throughout the World.

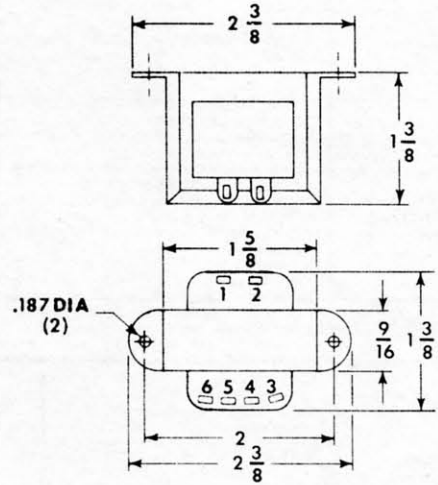
AP2622



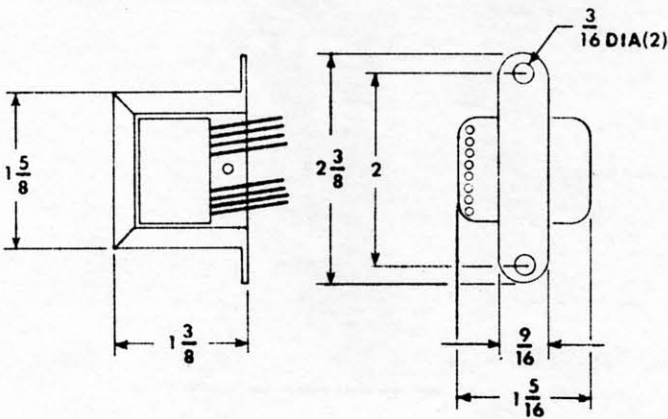
AP2623-1



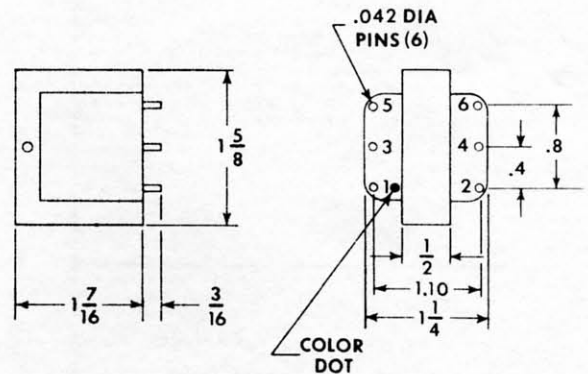
AP2623-3



AP2623-2



AP2623-4



AP2623

